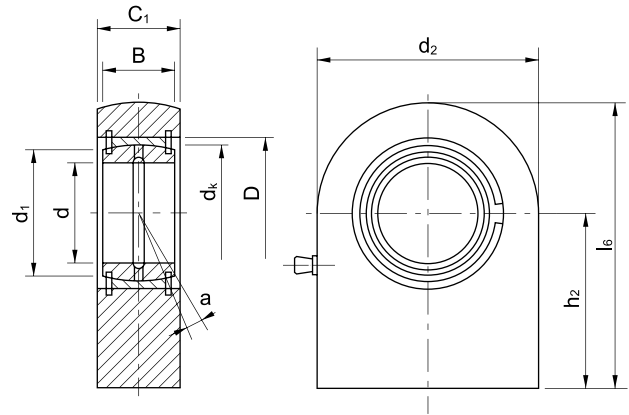


- 軸承的伸出杆或座是用焊接性能良好的材料制成。  
Bearings stretching rod or housing is made of weldable steel.
- GF...DO型是由向心關節軸承GE...ES和帶有平底的座組成，座底面是長方形的。  
The type GE...ES and housing with a rectangular welding face.



軸承型號 Bearings number	尺寸 Dimensions (mm)									負荷KN Load ratings		重量 Weight (kg)
	d	C <sub>1</sub>	B	d <sub>2</sub>	l <sub>6</sub>	h <sub>2</sub>	d <sub>k</sub>	d <sub>1</sub>	D	動 C	靜 C <sub>0</sub>	
GF 20DO	20	19	16	50	63	38	29	24.1	35	30.0	67.0	0.35
GF 25DO	25	23	20	55	72.5	45	35.5	29.3	42	48.0	69.5	0.53
GF 30DO	30	28	22	65	83.5	51	40.7	34.2	47	62.0	118	0.87
GF 35DO	35	30	25	83	102.5	61	47	39.7	55	80.0	196	1.5
GF 40DO	40	35	28	100	119	69	53	45	62	100	300	2.4
GF 45DO	45	40	32	110	132	77	60	50.7	68	127	380	3.4
GF 50DO	50	40	35	123	149.5	88	66	55.9	75	156	440	4.4
GF 60DO	60	50	44	140	170	100	80	66.8	90	245	570	7.1
GF 70DO	70	55	49	164	197	115	92	77.8	105	315	695	10.5
GF 80DO	80	60	55	180	231	141	105	89.4	120	400	780	15.0
GF 90DO	90	65	60	226	263	150	115	98.1	130	490	1340	23.5
GF 100DO	100	70	70	250	295	170	130	109.5	150	610	1500	31.5
GF 110DO	110	80	70	295	332.5	185	140	121.2	160	655	2160	48.5
GF 120DO	120	90	85	360	390	210	160	135.5	180	950	3250	79

也可制成帶-2RS結構，例如：GF70 DO-2RS  
Also made up of a spherical radial bearing with two seals and rod body, e.g. GF70 DO-2RS